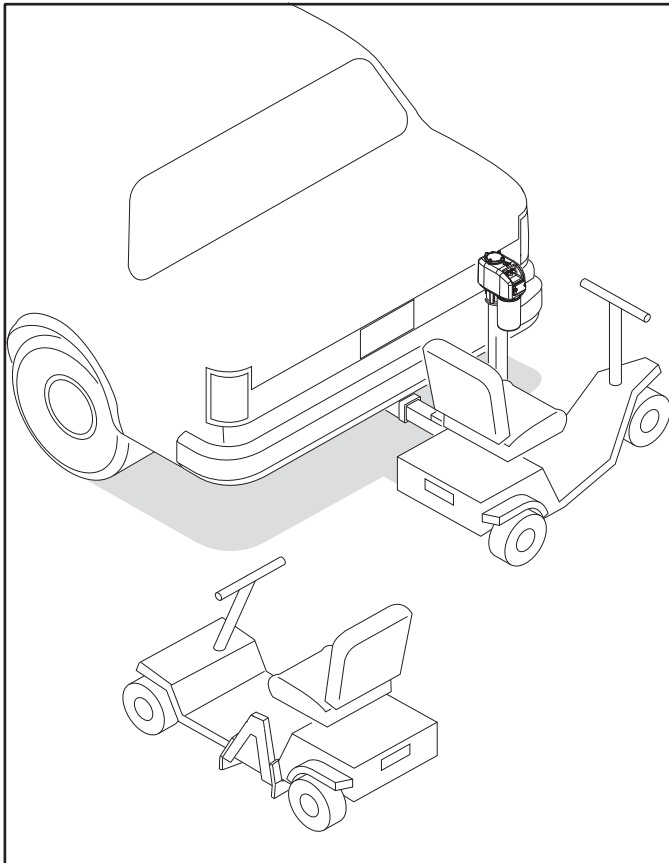


INSTALLATION MANUAL TRILIFT:

INSTALLATION AND OPERATION INSTRUCTIONS -SERVICE AND PARTS INFORMATION



IMPORTANT

A receiver hitch must be installed by a reputable hitch installer. Hitch must be level side to side and fore to aft. Distance from top of receiver to to ground should be no less than 12" and no more than 22"

Vehicle must be in good repair. Worn or damaged vehicle parts must be repaired or replaced before the hitch is installed.

CONTENTS OF CARTON:

PART#	QTY.	DESCRIPTION
T1010 /2	1	ACTUATOR 24"
L	1	"L" ADAPTOR OR
TA	1	TILT "L" ADAPTOR
PH	1	POWERHEAD
SB	1	SCOOTER'S DOCKING DEVICE OR
PWC	1	POWER WHEELCHAIR DOCKING DEVICE
SHP	1	SILENT HITCH PIN

TOOLS NEEDED:

1. HEX BIT 5/32", 3/8",
2. SCREW DRIVERS (PHILLIPS AND FLAT HEAD)
3. 7/16", 1/4", 3/8", 1/2", 5/8", AND 3/4" SOCKETS OR WRENCHES



Warning

READ AND UNDERSTAND INSTALLATION INSTRUCTIONS
VEHICLE MUST BE IN SAFE PARKED CONDITION

IGNITION SWITCH MUST BE IN "LOCK" POSITION
REMOVE JEWELRY (WATCHES, RINGS, ETC.)



TRILIFT
8021 Langdon Ave. Unit A
Van Nuys, CA 91406
1-800-300-4192 (U.S.)

PAGE: 1 OF 13	DATE: 1 FEB 08	FORM #: 20803
REVISION: E	ECN#: 13644	APPROVED:

INSTALLATION MANUAL TRILIFT:

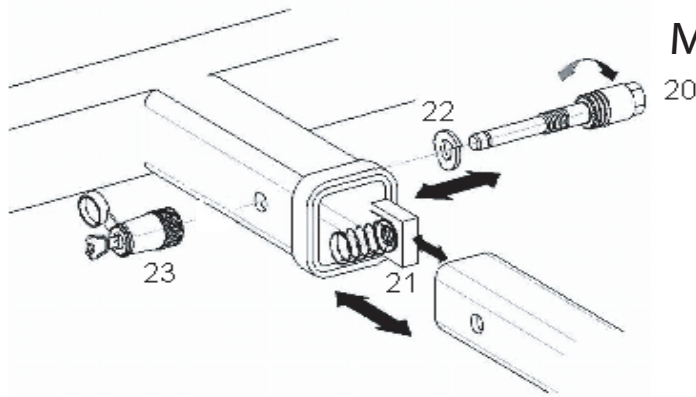


Warning

If maximum weight is exceeded, the design modified, or the unit is installed in a way contrary to manufacturer's instructions the warranty is void and catastrophic failure may occur. This could result in serious injury or death.

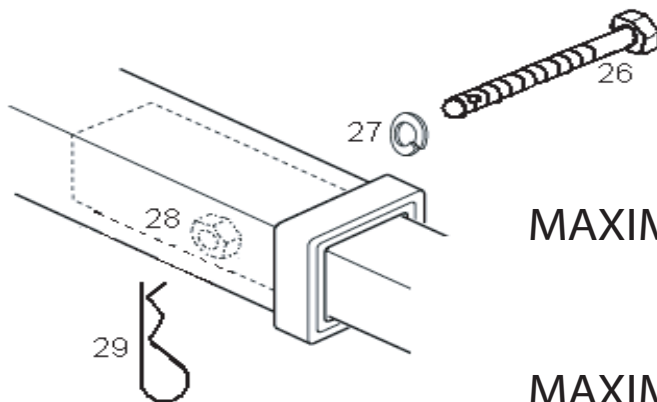
INSTALLATION INSTRUCTIONS:

1. FASTEN LIFT ASSEMBLY TO CLASS III RECEIVER HITCH (CUSTOMER SUPPLIED)
SLIDE "L" ADAPTOR INTO HITCH. FASTEN ASSEMBLY TO HITCH WITH BOLT (20), LOCKWASHER (22), AND HEX NUT (21), TIGHTEN ALL FASTENERS. INSTALL COTTER PIN OR LOCK (23)- DO NOT OVERTIGHTEN



MAXIMUM LOAD WEIGHT: 450 LBS.

- 1B. FASTEN LIFT ASSEMBLY TO CLASS -I OR II RECEIVER HITCH (CUSTOMER SUPPLIED)
INSTALL HEX NUT (28), INTO THE SOLID BAR ON THE "L" ADAPTOR AND SLIDE "L" ADAPTOR INTO HITCH.
FASTEN ASSEMBLY TO HITCH (26), LOCKWASHER (27), AND TIGHTEN ALL FASTENERS.
INSTALL COTTER PIN OR LOCK (29)- DO NOT OVERTIGHTEN



CLASS-I HITCH
MAXIMUM LOAD WEIGHT: 120 LBS.

CLASS-II HITCH
MAXIMUM LOAD WEIGHT: 180 LBS.



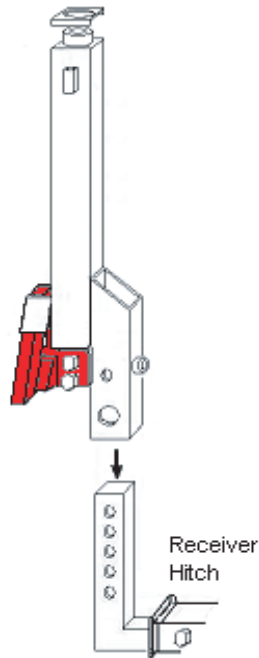
TRILIFT
8021 Langdon Ave. Unit A
Van Nuys, CA 91406
1-800-300-4192 (U.S.)

PAGE:	DATE:	FORM #:
2 OF 13	1 FEB 08	20803
REVISION LETTER:	ECN#:	APPROVED:
E	13036	

INSTALLATION MANUAL TRILIFT:

3. FASTEN ACTUATOR TO "L" ADAPTOR

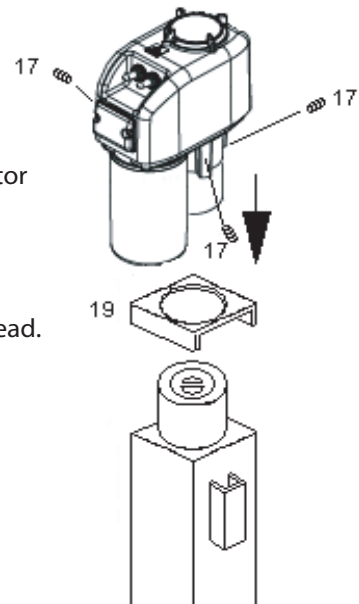
2 Slide actuator onto "L" adaptor
do not install the any bolts.



3 Slide powerhead onto actuator
and tighten bolts (17)

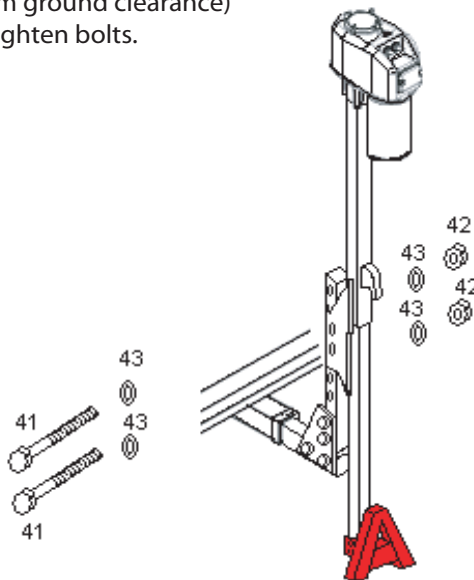
DO NOT OVERTIGHTEN.

Connect power to powerhead.



4B TRILIFT ULTRA LITE

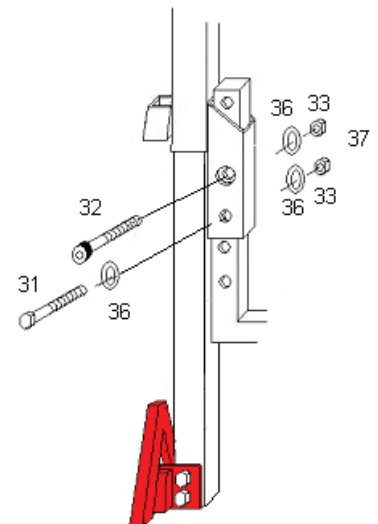
Turn power on and
lower the lift downwards,
so that the lift extends all the way out
(for maximum ground clearance)
install and tighten bolts.



4 TRILIFT Turn power on and lower the lift downwards,
so that the lift extends all the way out
(for maximum ground clearance)
install bolt (31) and locknut (33)

**the bolt (32) round head goes through
the larger opening
(no washer)**

Install bolt (34) with (37) nut. this bolt is to adjust the
angle of the lift is not mast to be tit.



TRILIFT
8021 Langdon Ave. Unit A
Van Nuys, CA 91406
1-800-300-4192 (U.S.)

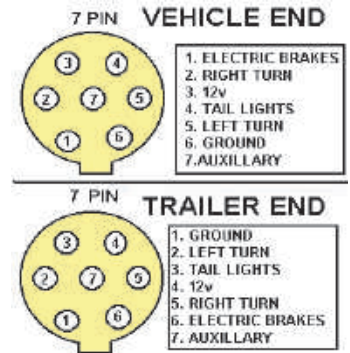
PAGE: 3 OF 13	DATE: 1 FEB 08	FORM #: 20803
REVISION LETTER: E	ECN#: 13036	APPROVED:

INSTALLATION MANUAL TRILIFT:

.POWERHEAD WIRING:

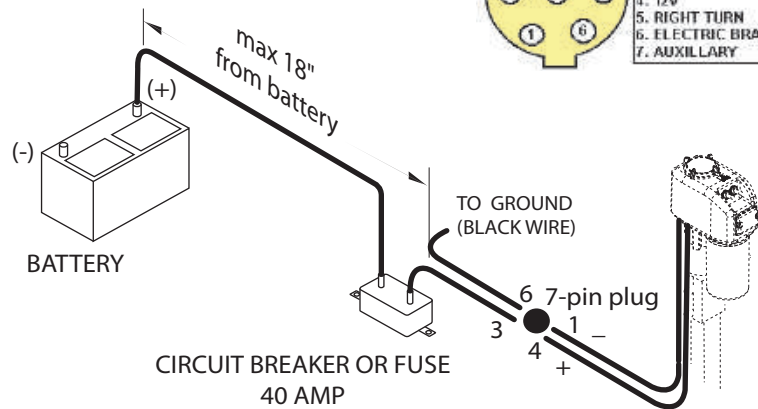
Use crimp or solder connections
 Connect battery's positive terminal to circuit breaker (40 amp)
 with 10 gage wire or larger.
 Connect circuit breaker to powerhead with 10 gage wire or
 larger and butt splice.

when using oem wiring
 make sure a 40 amp fuse is
 installed in the fusebox



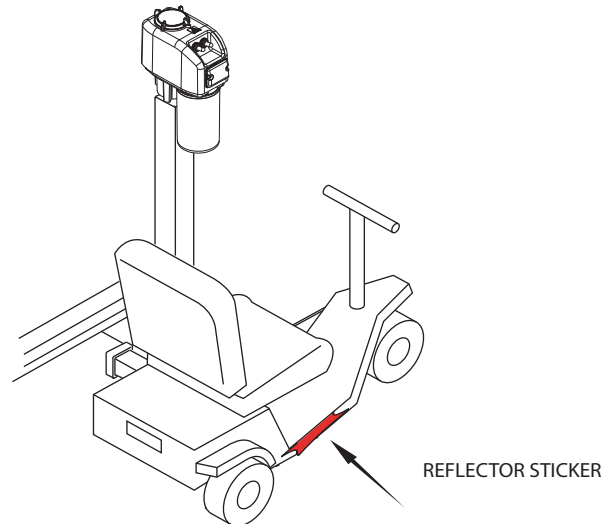
Warning

Do not change wiring order
 in the 7-pin plugs



5. INSTALL SCOOTER BRACKET:

(separate instruction)



6. INSTALL REFLECTOR STICKER

Reflector should be installed on the right side of the scooter so it is visible from the rear while scooter is loaded on the lift.



TRILIFT
 8021 Langdon Ave. Unit A
 Van Nuys, CA 91406
 1-800-300-4192 (U.S.)

PAGE: 4 OF 13	DATE: 1 FEB 08	FORM #: 20803
REVISION: H	ECN#: 13644	APPROVED:

OWNER'S MANUAL TRILIFT

OPERATING INSTRUCTIONS:

The added length and weight of the Trilift, and a scooter or wheel chair, will effect how your vehicle handles. It will be more sensitive on slippery roads or in a cross wind.

Adjust your driving style to match conditions. Drive slowly until you become familiar with how the vehicle handles when turning and backing up. Plan for turns, stops, and lane changes well in advance. Avoid slippery conditions, (i.e.-ice, snow, and loose gravel). Reduce speed on rough surfaces or going up and down slopes, (i.e.- driveways). Remember added overall length when backing up, parking, etc.

Operators must become familiar with all controls and procedures. Understand what the Trilift can do and its limits. Practice using it safely.

These safety labels are on the Trilift Know where they are; read, understand, and obey them.

WARNING

Avoid serious injury, or death, to yourself and others. Follow these instructions:

- Read and understand OPERATOR'S INSTRUCTIONS before using TRILIFT.
- Transporting vehicle must be safely parked, on a flat level surface, when loading and unloading scooter.
- Keep body, hands, and feet away from shearing / squeezing points.
- When transporting, scooter must be secured to lift locking system
- When scooter is not on lift, Triangle must be secured all the way up in the hold bracket.
- NO RIDERS on lift.
- Do not overload lift
Maximum capacity 400 lbs.

19991-A

INSPECTION:

Before using the TriLift, the user must inspect it completely to insure safe operation:

- * Actuator, triangle, and docking device on the scooter, Look at their condition, check for: cracked or broken parts, loose or missing fasteners
- * Rocker Switch-
Must work freely and return to neutral when released.
- * Tires (transport Vehicle)-
Tires must be in good condition. Check tire pressure, Tires must be inflated to recommended pressure.
- * Safety Labels-If safety labels are missing or unreadable, replace them immediately.
- * If the unit is unsafe or in need of repair, do not use it until it is returned to a safe operating condition.

!!!IMPORTANT NOTICE!!!

DO NOT install the Trilift on the rear of "towed" vehicles. This includes travel trailers, 5th Wheels, etc. The excessive shock loading that occurs in this location is not compatible with the Trilift design. The Trilift warranty is void when a unit is installed in this manner

WARNING

Don't risk serious injury or death in a shearing or squeezing accident. Keep body, hands, and feet away.

19989



WARNING

MAXIMUM WEIGHT: 450 LBS

If maximum weight is exceeded, the design modified, or the unit is installed in a way contrary to manufacturer's instructions the warranty is void and catastrophic failure may occur. This could result in serious injury or death.

29234



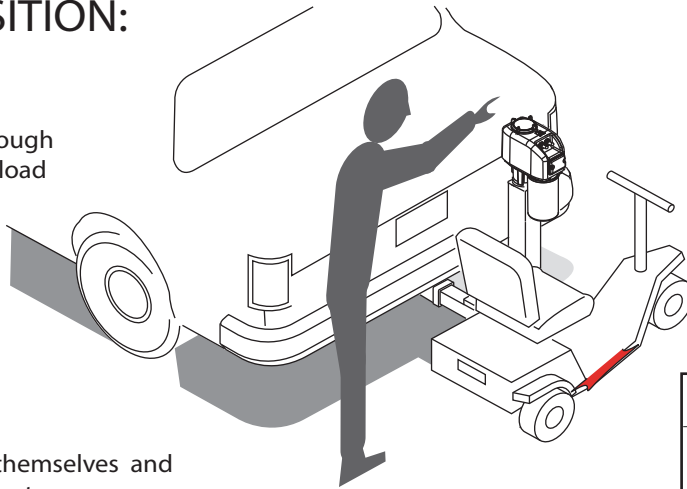
TRILIFT
8021 Lagdon Ave. Unit A
Van Nuys, CA 91406
1-800-300-4192 (U.S.)

PAGE:	DATE:	FORM #:
5 OF 13	1 FEB 08	20803
REVISION LETTER:	ECN#:	APPROVED:
E	13036	

OWNER'S MANUAL TRILIFT

OPERATING POSITION:

VEHICLE must be in a safely parked position on a flat level surface. Allow enough room to safely load and unload scooter or wheel chair.



OPERATOR must keep themselves and others away from moving parts.

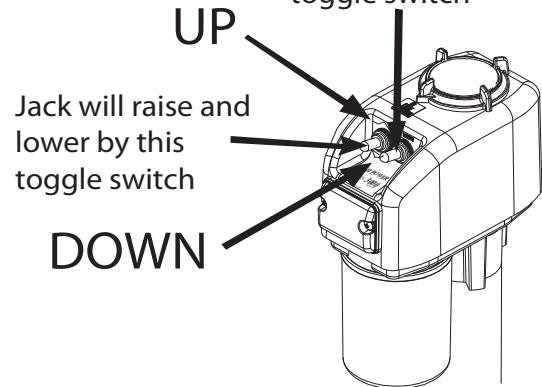
<p>WARNING</p> <p>Don't risk serious injury or death in a shearing or squeezing accident. Keep body, hands, and feet away.</p> <p><small>19989</small></p>	
---	--

OPERATION (ELECTRICAL)

When the powerhead reaches the end of its travel (either raising or lowering), a built in torque limiter goes into operation with a clicking noise.

This torque limiter permits the final drive gear to slip; thus protecting the unit
PROLONGED OPERATION OF THE TORQUE LIMITER IS NOT RECOMMENDED.

The "night-light" is controlled by this toggle switch



OPERATION (MANUAL)

If an electrical failure should occur, the emergency handle may be inserted into the actuator post and the actuator can be raised and lowered.

WHEN CRANK HANDLE IS BEING USED, DO NOT PUSH ROCKER SWITCH

If powerhead is removed, crank can still be used to raise and lower actuator



TRILIFT
 8021 Langdon Ave. Unit A
 Van Nuys, CA 91406
 1-800-300-4192 (U.S.)

PAGE: 6 OF 13	DATE: 1 FEB 08	FORM #: 20803
REVISION LETTER: H	ECN#: 13507	APPROVED:

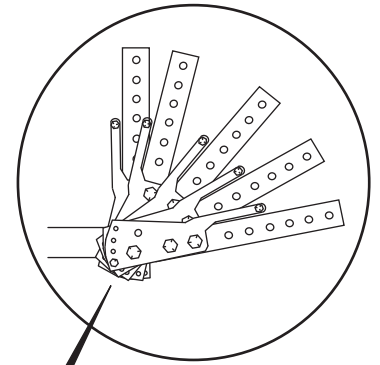
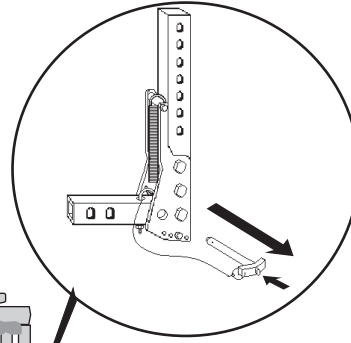
OWNER'S MANUAL TRILIFT

FOLD UNIT DOWN for access to rear of vehicle, trucks, van cargo doors, etc.

IMPORTANT: Scooter or chair must be removed from lift.

TO FOLD DOWN

- Hold unit up.
- Push on the quick release Button.
- Remove quick release pin.
- Pivot unit down, level with the ground



adjust the position of the tilt by moving the bolt.



WARNING

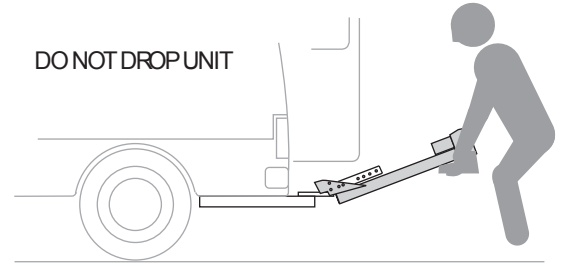
Don't risk serious injury or death in a shearing or squeezing accident. Keep body, hands, and feet away.



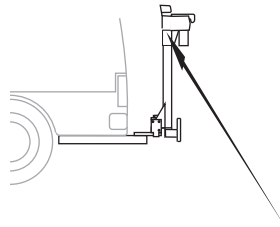
TO FOLD UP

- Pivot unit all the way up and hold
- Push on the quick release Button.
- Put quick release pin.

DO NOT DROP UNIT



MAINTENANCE



Pivot points should be greased, as needed, with lithium based grease.

MAINTENANCE

Once a year, the powerhead should be removed and a liberal amount of grease (preferably a grease with high melting point) applied directly to the coupling on which the drive pin rests. **DO NOT POUR OIL** into top of the jack post.

Once a year, the housing cover should be removed and the gears inspected for proper lubrication. Remove 4 screws and tap around edge of housing to free cover. **DO NOT** insert screw driver blade! (This may damage mating surfaces.) Before replacing cover, clean mating surfaces. If lubrication is needed, use Lubriplate GR-132 grease or equivalent.



TRILIFT
8021 Langdon Ave. Unit A
Van Nuys, CA 91406
1-800-300-4192 (U.S.)

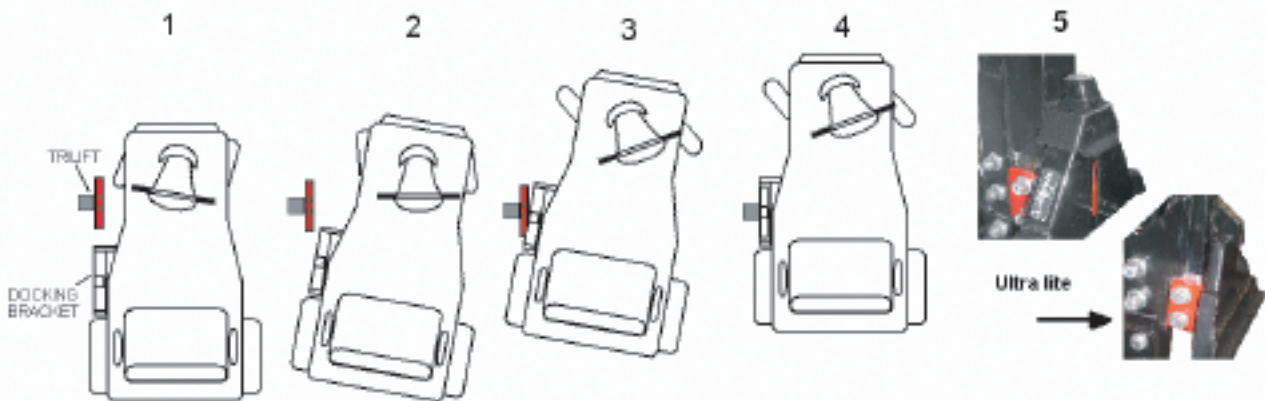
PAGE:	DATE:	FORM #:
7 OF 13	1 FEB 08	20803
REVISION LETTER:	ECN#:	APPROVED:
H	13644	

OWNER'S MANUAL TRILIFT

OPERATING INSTRUCTIONS

For loading a scooter

1. Insert the key into key switch, and turn to ON position.
 2. Push switch to down position, so the lift extends all the way down to the ground or to the end.
 3. Drive the scooter so the docking bracket will be at the same line, and 3" from the lift male triangle pic - 1
 4. Turn the scooter steering slightly to the right pic- 1 drive forward and turn scooter steering back to the left pic-2 and pic-3 so the bracket will be above the red triangle pic-4.
 5. Push switch to up position so the lift grabs the scooter bracket and the scooter all the way up
- IMPORTANT:**
6. Check if the docking bracket locks in position pic -5
7. Switch the key off and remove it.



For unloading a scooter

1. Insert the key into key switch and turn to ON position.
2. Push switch to down position, so the lift extend all the way down to the ground or to the end.
3. Drive the scooter forward, turn the wheels all the way to the left and drive the scooter backward and away.
4. Push switch to up position to lock lift all the way up.
5. Switch the key OFF and remove it.



TRILIFT
8021 Langdon Ave. Unit A
Van Nuys, CA 91406
1-800-300-4192 (U.S.)

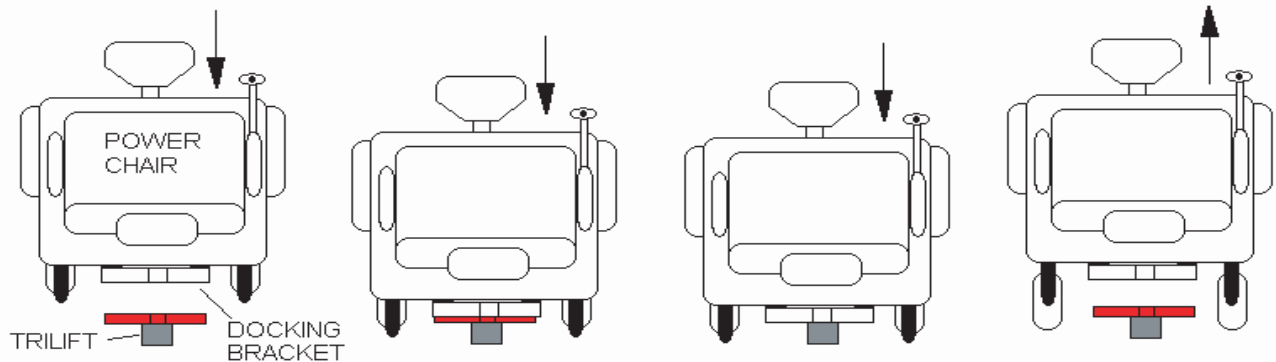
PAGE:	DATE:	FORM #:
8 OF 13	1 FEB 08	20803
REVISION LETTER:	ECN#:	APPROVED:
H	13644	

OWNER'S MANUAL TRILIFT

For loading power wheelchairs

1. Insert the key into key switch and turn to ON position.
2. Push switch to down position all the way down to the ground or to the end .
3. Drive the wheelchair backward so the docking bracket will be above the red triangle
4. Push switch to up position so lift grab the power wheel chair bracket all the way up
- IMPORTANT:** 5. Check that the docking bracket is locked in position pic -5

6.



For unloading wheelchairs

1. Insert the key into key switch and turn to ON position.
2. Push switch to down position all the way down to the ground or to the end.
3. Drive the wheelchair forward a way from the lift . Push switch to up position all the way.
4. Push switch to up position to lock lift all the way up.
5. Switch the key OFF and remove it.

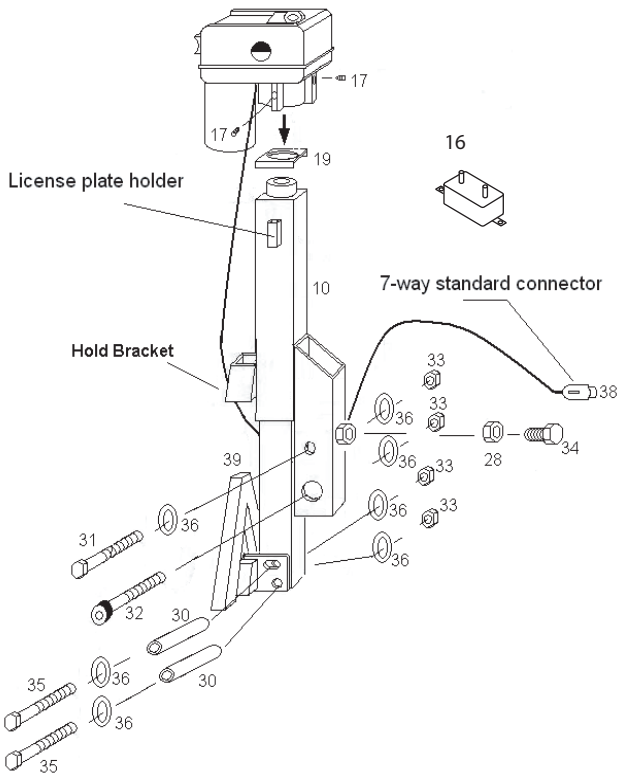


TRILIFT
8021 Langdon Ave. Unit A
Van Nuys, CA 91406
1-800-300-4192 (U.S.)

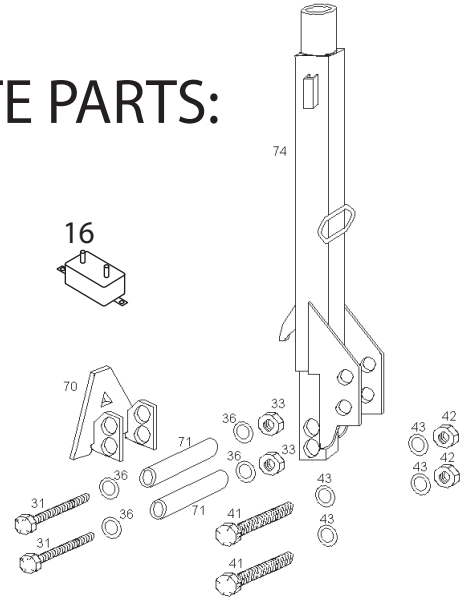
PAGE:	DATE:	FORM #:
9 OF 13	1 FEB 08	20803
REVISION LETTER:	ECN#:	APPROVED:
H	13644	

INSTALLATION MANUAL TRILIFT:

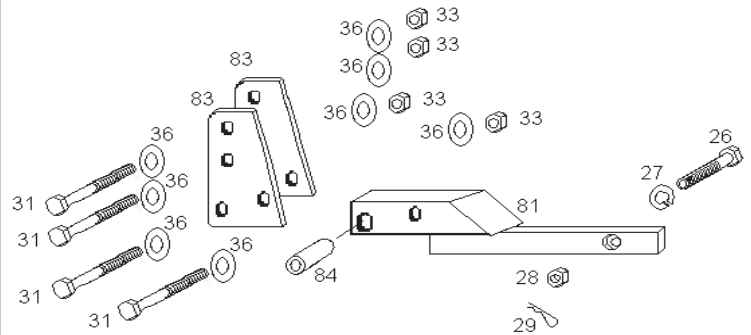
TRILIFT PARTS:



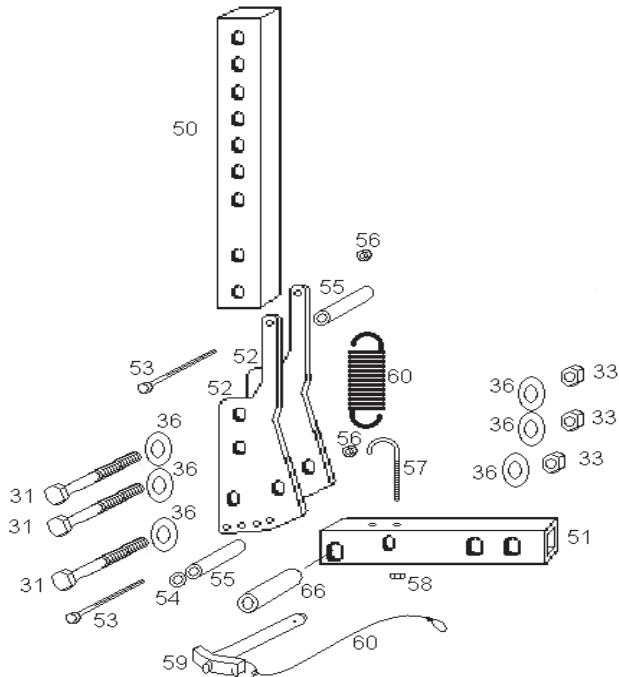
TRILIFT ULTRALITE PARTS:



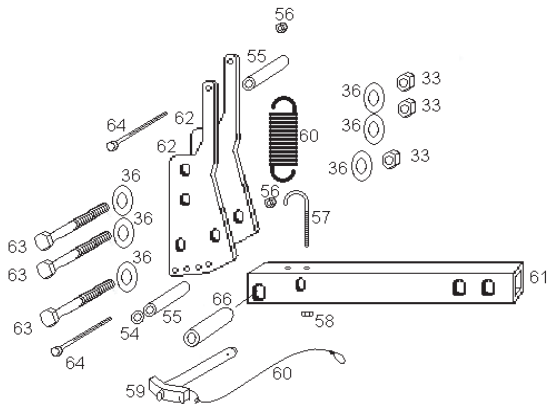
"L" ADAPTOR - CLASS I-II



TA PARTS:



TA-HD-EXT PARTS:



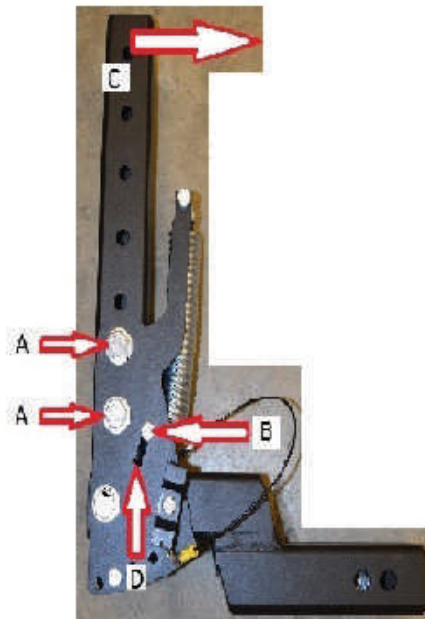
TRILIFT
8021 Langdon Ave. Unit A
Van Nuys, CA 91406
1-800-300-4192 (U.S.)

PAGE: 10 OF 13	DATE: 1 FEB 08	FORM #: 20803
REVISION LETTER: H	ECN#: 13644	APPROVED:

INSTALLATION MANUAL TRILIFT:

TRILIFT Tilt L adaptor adjustment part # TA

- 1 Un tight bolts A
- 2 Remove Bolt B
- 3 Push vertical tube toward the vehicle C
- 4 Re install Bolt B in the lower hole D
- 5 Tight bolts A



TRILIFT
8021 Langdon Ave. Unit A
Van Nuys, CA 91406
1-800-300-4192 (U.S.)

PAGE:	DATE:	FORM #:
11 OF 13	1 FEB 08	20803
REVISION LETTER:	ECN#:	APPROVED:
H	13644	

INSTALLATION MANUAL TRILIFT:

AVAILABLE PARTS FOR THE TRILIFT



EXTD4-3 4" Extended Bracket for Class-3 Hitch.



EXTD7-3 7" Extended Bracket for Class-3 Hitch.



EXTD4-2 4" Extended Bracket for Class-2 Hitch.



EXTLR02-3 2" Lowering or Raising L bracket for Class-3 Hitch.



EXTLR04-3 4" Lowering or Raising L bracket for Class-3 Hitch.



EXTLR06-3 6" Lowering or Raising L bracket for Class-3 Hitch.



EXTLR12-3 12" Lowering or Raising L bracket for Class-3 Hitch.



EXTLR02-2 2" Lowering or Raising L bracket for Class-2 Hitch.



EXTLR04-2 4" Lowering or Raising L bracket for Class-2 Hitch.



TRILIFT
8021 Langdon Ave. Unit A
Van Nuys, CA 91406
1-800-300-4192 (U.S.)

PAGE:	DATE:	FORM #:
12 OF 13	1 FEB 08	20803
REVISION LETTER:	ECN#:	APPROVED:
H	13644	

OWNER'S MANUAL TRILIFT

ACCESSORIES:



Licenses plate Holder with light.



Power head cover



Remote Control



Hitch pin lock



Lift Dolly



TRILIFT
8021 Langdon Ave. Unit A
Van Nuys, CA 91406
1-800-300-4192 (U.S.)

PAGE:	DATE:	FORM #:
13 OF 13	1 FEB 08	20803
REVISION LETTER:	ECN#:	APPROVED:
H	13644	